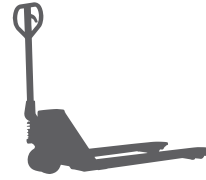


# STAINLESS STEEL

## HAND PALLET TRUCK

The Raymond Stainless Steel hand pallet truck is specially designed for corrosive environments and other applications that demand high standards of hygiene, such as food processing, pharmaceutical and marine industries. Manufactured entirely of stainless steel, the Stainless Steel hand pallet truck is engineered for reliability and long life in these tough work conditions.



### STANDARD SPECIFICATIONS:

- Capacity: 4,400 lbs
- Fork OAW: 27"
- Fork width: 6.25"
- Fork length: 48"
- Fork height (lowered): 2.9"

---

FOR ORDERS OR INQUIRIES CALL 1.800.558.6012 OR EMAIL [HPTORDERS@RAYMONDCORP.COM](mailto:HPTORDERS@RAYMONDCORP.COM)

---

If you're looking for a partner with the tools and experience to help you run better and manage smarter, contact us today at 1-800-235-7200 or visit us at [raymondcorp.com](http://raymondcorp.com).

**RAYMOND**

# STAINLESS STEEL HAND PALLET TRUCK

## MAINTAINABILITY

It's made with stainless steel. So working in a harsh environment won't be a problem.

## DURABILITY

The Stainless Steel hand pallet truck, is made with stainless steel. Harsh working environments won't be a problem. Greasable bushings assure a long service life.

## FLEXIBILITY

The Stainless Steel hand pallet truck can be used in a variety of environments. Multiple jacks aren't needed if the application has wet and dry environments.

## FEATURES

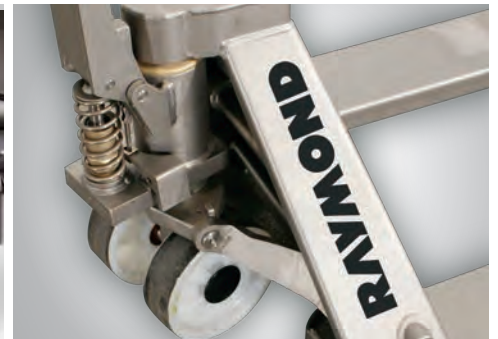
- + Manufactured from stainless steel.
- + Its glass blasted frame finish, makes it easier to clean and maintain.
- + Ten grease fittings allow for easy maintenance and protection against corrosion.



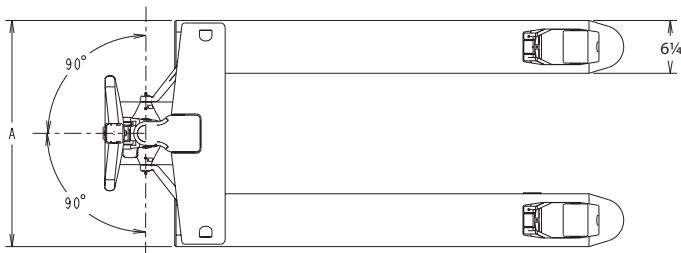
3 position fingertip control handle



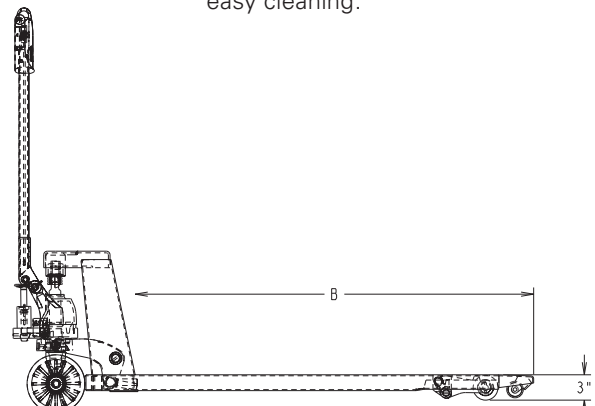
Durable nylon wheels



Glass-blasted frame finish provides easy cleaning.



**\*Overall Width (A):**  
27"



**\*Overall Length (B):**  
48"